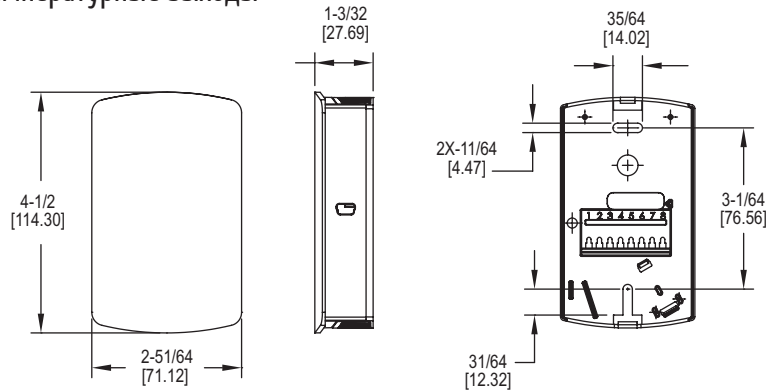


НАСТЕННЫЙ ДАТЧИК ВЛАЖНОСТИ И ТЕМПЕРАТУРЫ

Сенсор влажности с точностью 2% либо 3%, Пассивные температурные выходы



The Series RHPLC Wall Mount Humidity/Temperature Transmitter is a compact economical sensor for the building automation marketplace. The stylish housing is well vented to provide air flow across the sensor to improve measurement accuracy. Each unit utilizes a capacitive polymer sensing element to deliver a proportional analog output. A combination humidity and temperature model can be configured with current, voltage, RTD, or thermistor output. A wide selection of passive RTD or thermistor temperature sensors are available in this series.

ПАРАМЕТРЫ / ПРЕИМУЩЕСТВА

- Humidity only or temperature and humidity combo
- Wide selection of passive thermistor or RTD temperature sensors

СФЕРЫ ПРИМЕНЕНИЯ



ХАРАКТЕРИСТИКИ

Sensor: Capacitive polymer.
Relative Humidity Range: 0-100% RH.
RH Accuracy: ±2% 10 to 90% RH @ 25°C for 2% accuracy units; ±3% 20 to 80% RH @ 25°C for 3% accuracy units.
RH Hysteresis: ±0.8%.
RH Repeatability: ±0.1% typical.
Temperature Output Range: -40 to 60°C.
Passive Thermistor Temperature Sensor Accuracy: ±0.2°C @ 25°C.
Accuracy RTD Temp Sensor: DIN Class B; ±0.3°C @ 0°C.
Accuracy Current/Voltage Temperature Output: ±0.3°C @ 25°C.
Temperature Limits: Operating: -40 to 140°F (-40 to 60°C); Storage: -40 to 176°F (-40 to 80°C).
Требования к питанию: 10-35 VDC 4-20 mA 0-5 VDC; 15-35 VDC 0-10 VDC; 10-29 VAC 0-5 VDC; 15-29 VAC 0-10 VDC.
Время отклика: 8 (τ₆₃).
Electrical Connections: Screw terminal block.
Drift: <0.25% RH/year.
Enclosure Material: Polycarbonate.
Вес: 125 g.
Сертификаты: CE.

| MODEL CHART | | | | | | | |
|--------------------|-------|----|---|---|---|-----|---|
| Example | RHPLC | -3 | N | 2 | A | -FC | RHPLC-3N2A-FC |
| Series | RHPLC | | | | | | Humidity/temperature transmitter |
| Точность | | 2 | | | | | 2% 3% |
| Housing | | | N | | | | North American style wall mount |
| Humidity Output | | | | 1 | | | Current 4-20 mA |
| | | | | 2 | | | Voltage 0-10 VDC |
| | | | | 3 | | | Voltage 0-5 VDC |
| Temperature Output | | | | | 0 | | None |
| | | | | | 1 | | Current 4-20 mA |
| | | | | | 2 | | Voltage 0-10 VDC |
| | | | | | 3 | | Voltage 0-5 VDC |
| | | | | | A | | 10K Ω @ 25°C thermistor type III |
| | | | | | B | | 10K Ω @ 25°C thermistor type II |
| | | | | | C | | 3K Ω @ 25°C thermistor |
| | | | | | D | | 100 Ω RTD DIN 385 |
| | | | | | E | | 1K Ω RTD DIN 385 |
| | | | | | F | | 20K Ω @ 25°C thermistor |
| Options | | | | | | FC | Factory calibration certificate (3% accuracy units) |

| ACCESSORIES | |
|-------------|--|
| Model | Description |
| SCD-PS | 100-240 VAC/VDC to 24 VDC |
| APT-40-5DN | AC power transformer, 120/208/240/277/480 VAC input, 24 VAC isolated output, 40 VA, dual hub |